

Installation instructions for PZ4AL- 01698- 00

Under Run AT Case and Transfer Box Protective Shield

LEXUS GX 460

Toyota Land Cruiser 150



Model Year	GX 460;	LC150 Diesel;	LC150 Petrol
Vehicle Code	URJ150L - GKTZKW;	KDJ15* L - G * * * YW; GRJ150L - G * * * KW	
Part Number	24.1855 (steel punching) 24.1856 (aluminium punching)		

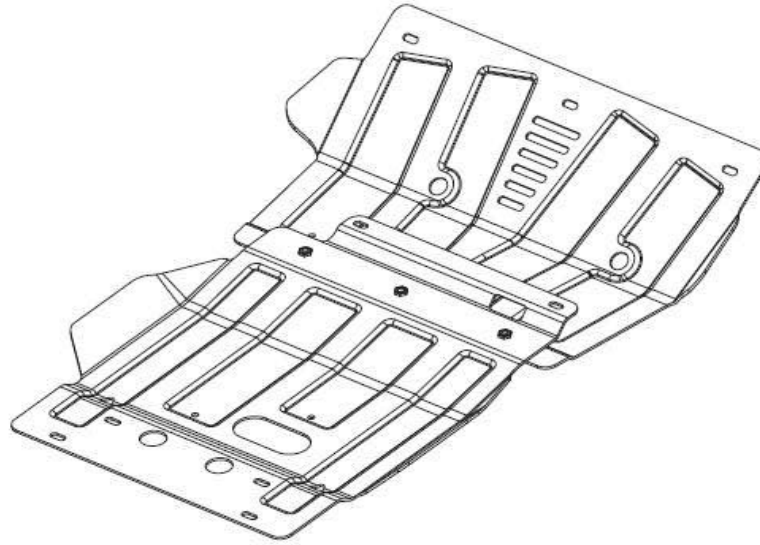


Installation Time

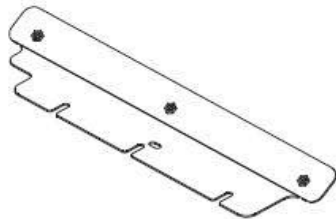
30min

24.1855 and 24.1856

A

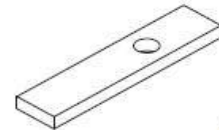


B



X1

C



X 2 SD 3004

D1



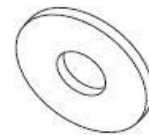
8 x M 10x20

D2

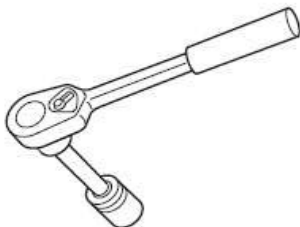


2 x M 10x1.25x30

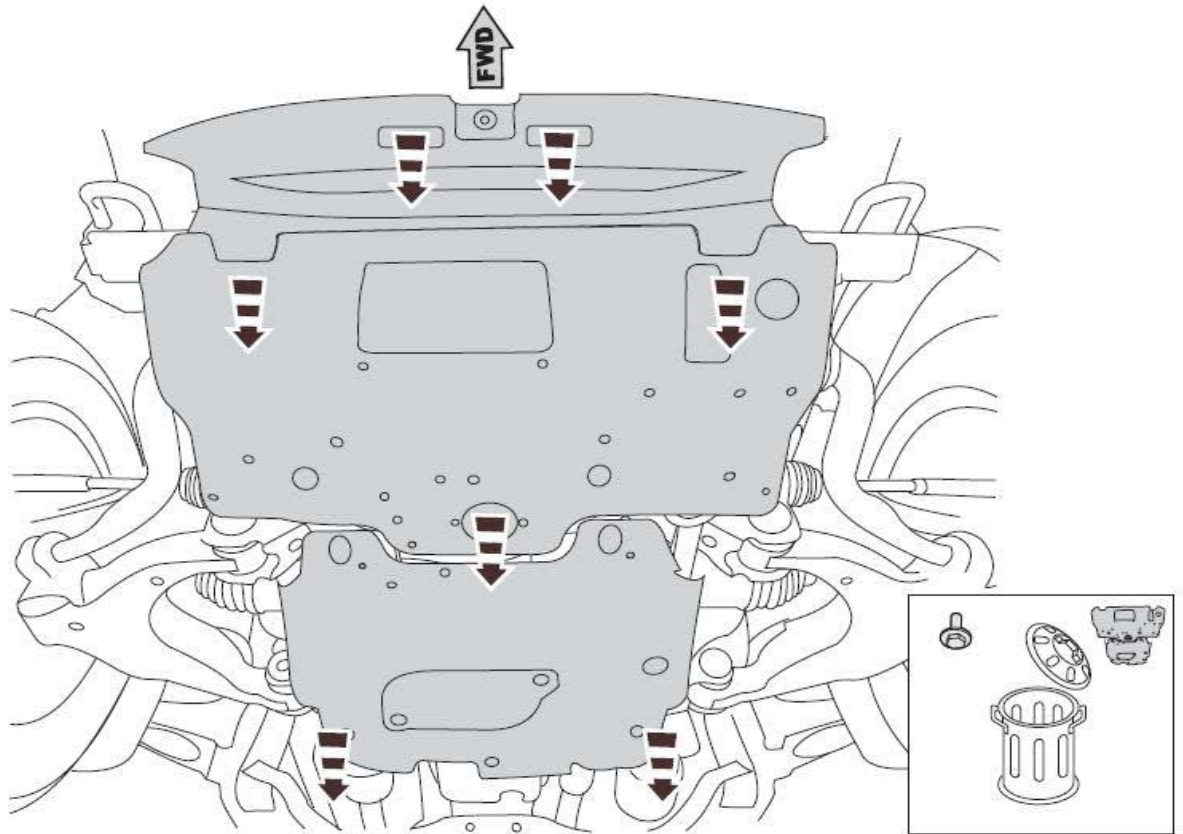
E



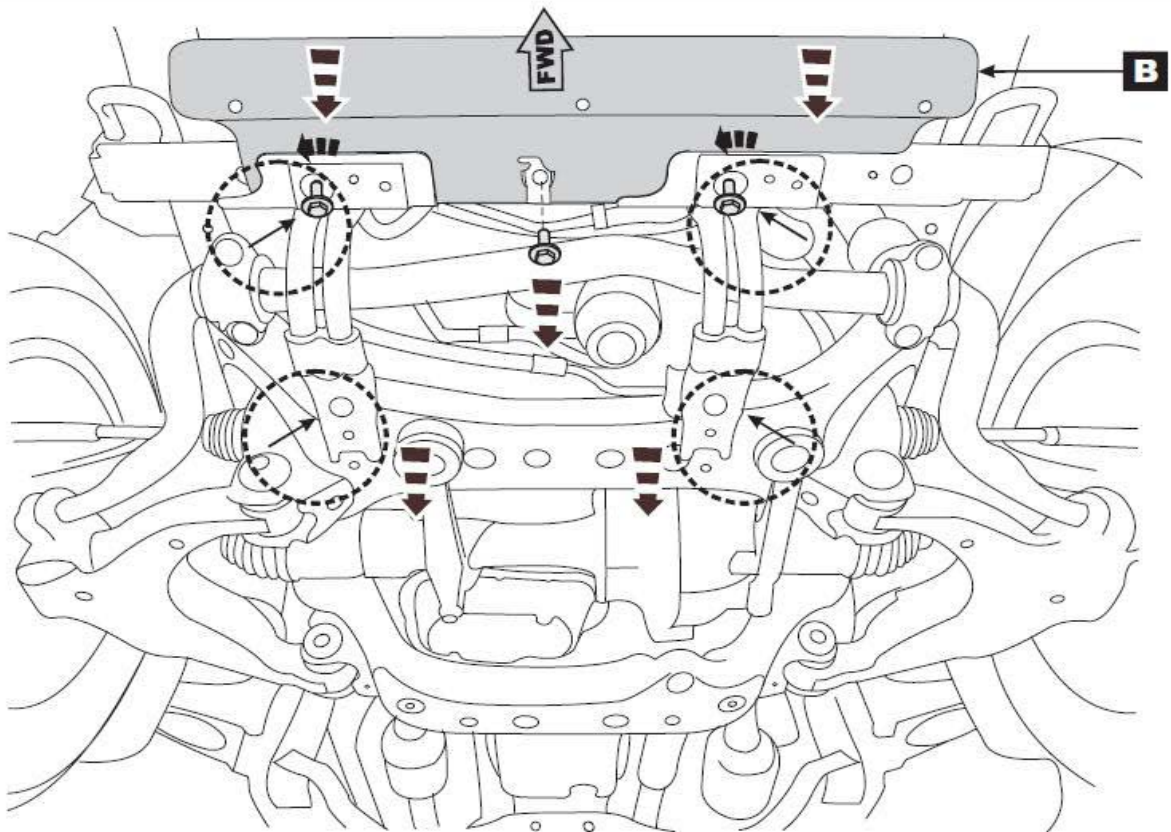
X 10 Ø10



1



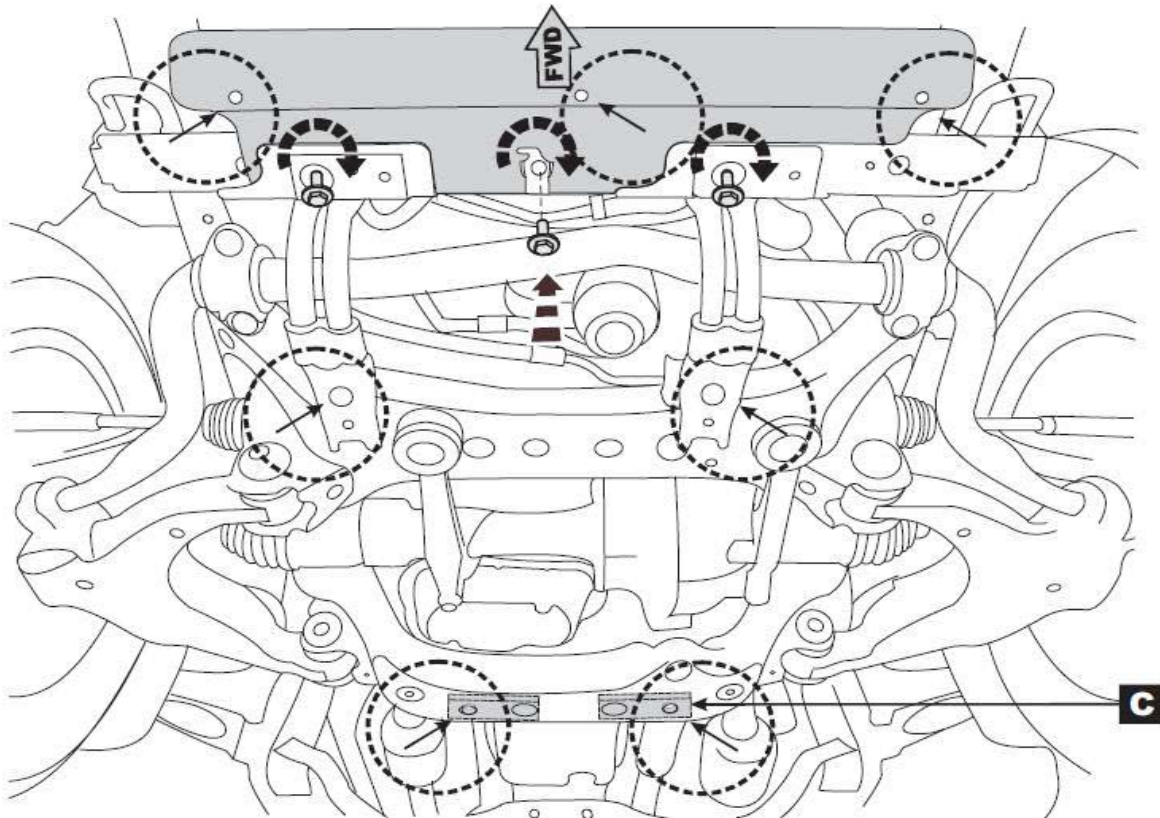
2



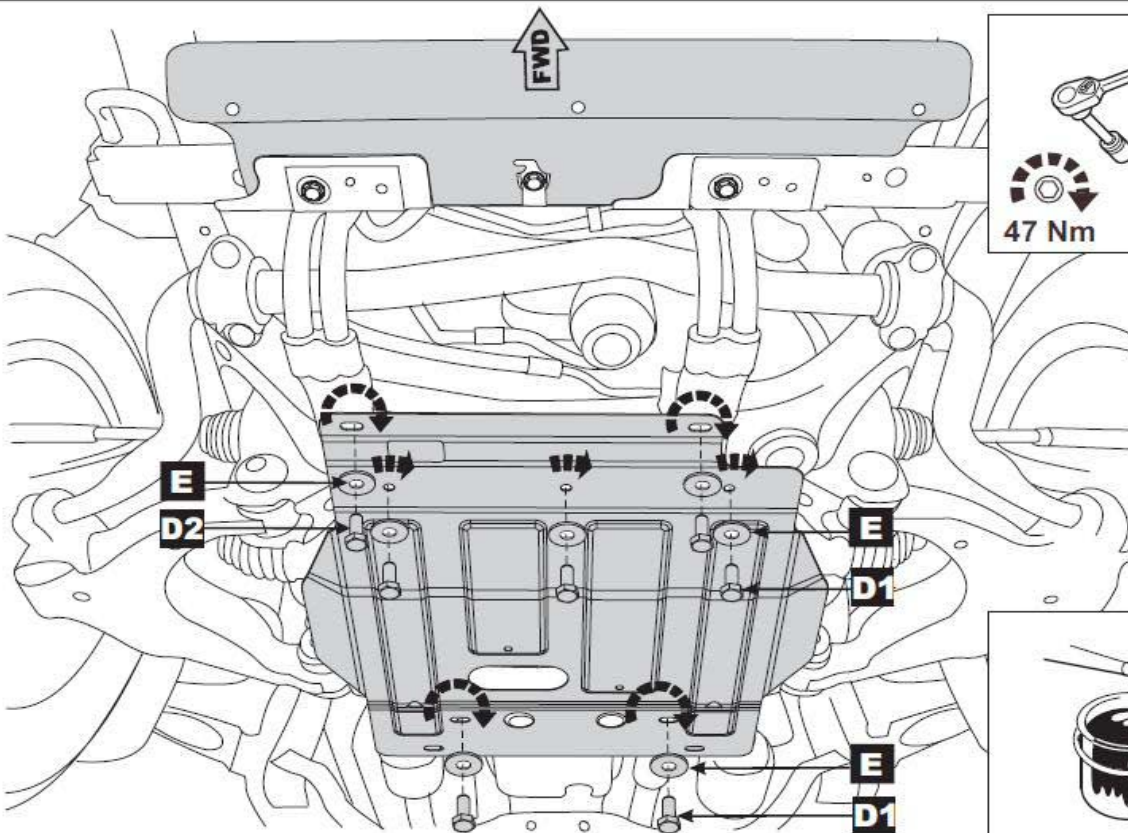
Part number:
24.1855 and 24.1856

Page:
3/5

3



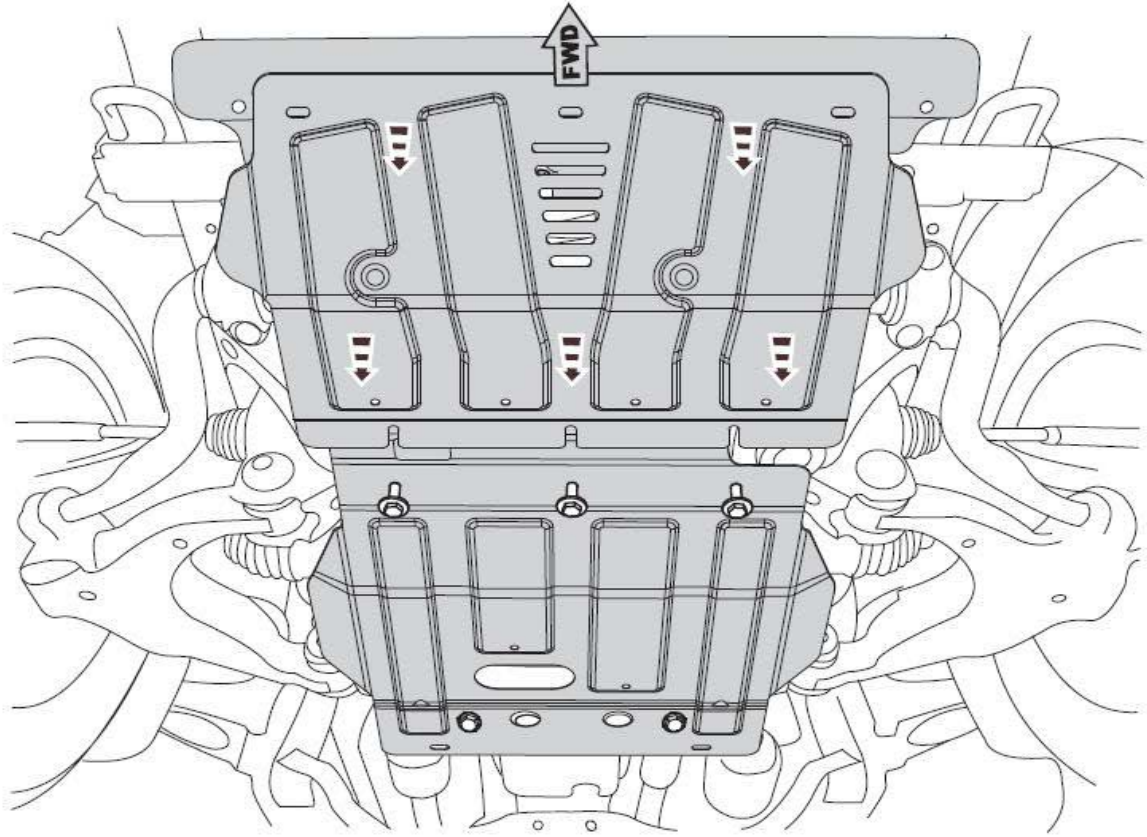
4



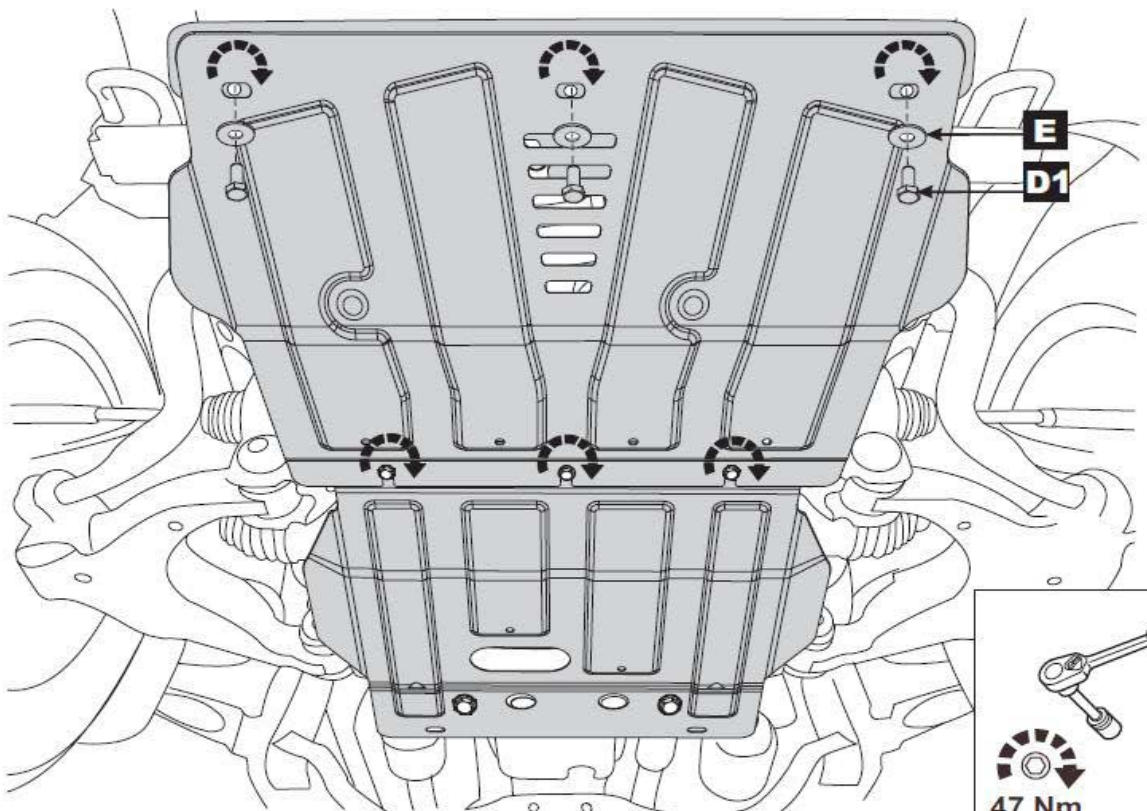
Part number:
24.1855 and 24.1856

Page:
4/5

5



6



Part number:
24.1855 and 24.1856

Page:
5/5